



Part No: DTS090500UTC-P5P-SZ

Date: 4/06/2006

Unit: mm

Description: switching power supply

Page No: 1 of 7

## Input

Rated input voltage	100 V ~ 240 V ac
Input voltage range	90 V ~ 264 V ac
Rated frequency	50~60 Hz
Frequency range	47~63 Hz
Rated input current	1.2 A RMS max.
Inrush current	30 A max. at 115 / 50 A max. at 230 V ac cool start

## Output

Output voltage	9 V dc at 5 A
Output min. current	0 A
Line regulation	± 1%
Load regulation	± 5%
Over voltage protection	11.4 ~ 12.6 V dc max. (output shut down)
Short circuit protection	output shut down and auto restart
Ripple voltage	100 mV (p-p) (100~240 V ac at full load)
Efficiency	70% min.

## Safety and EMI

HI-POT	input to output	1500 V ac or 2121 V dc at 10 mA for 1 min.
Insulation resistance	input to output	> 100 M Ohm at 500 V dc
Safety approvals	UL/cUL, GS, CE	
EMI standard	meets FCC class B, CE, VCCI-II	
RoHS compliant	yes	
Leakage current	3.5 mA	

## Environmental

Storage temperature	-10°C ~ +70° C
Operating temperature	0°C ~ +40° C
Storage humidity	10~90%
Operating humidity	20~80%

**Label**

Material: metalized polyester

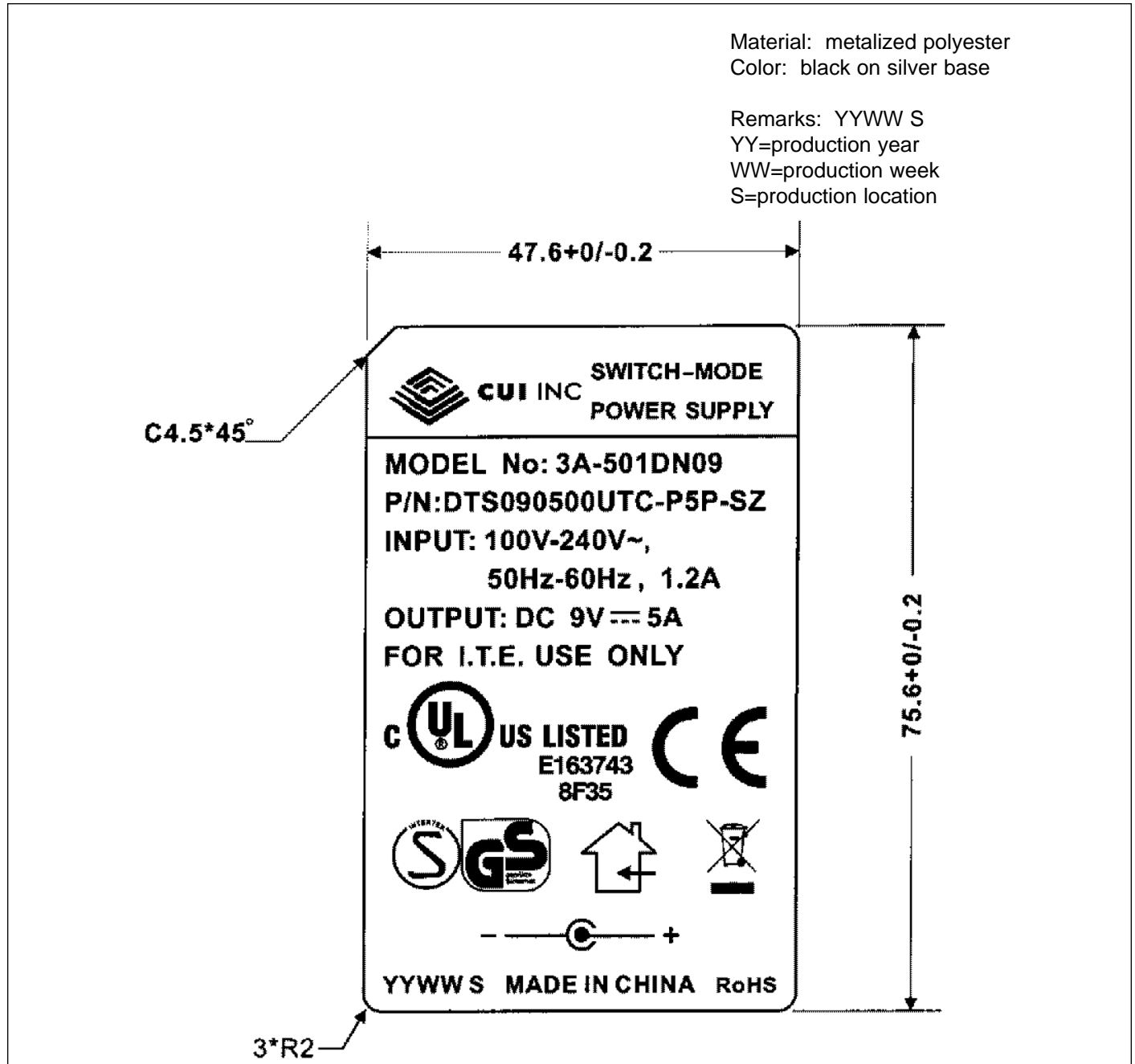
Color: black on silver base

Remarks: YYWW S

YY=production year

WW=production week

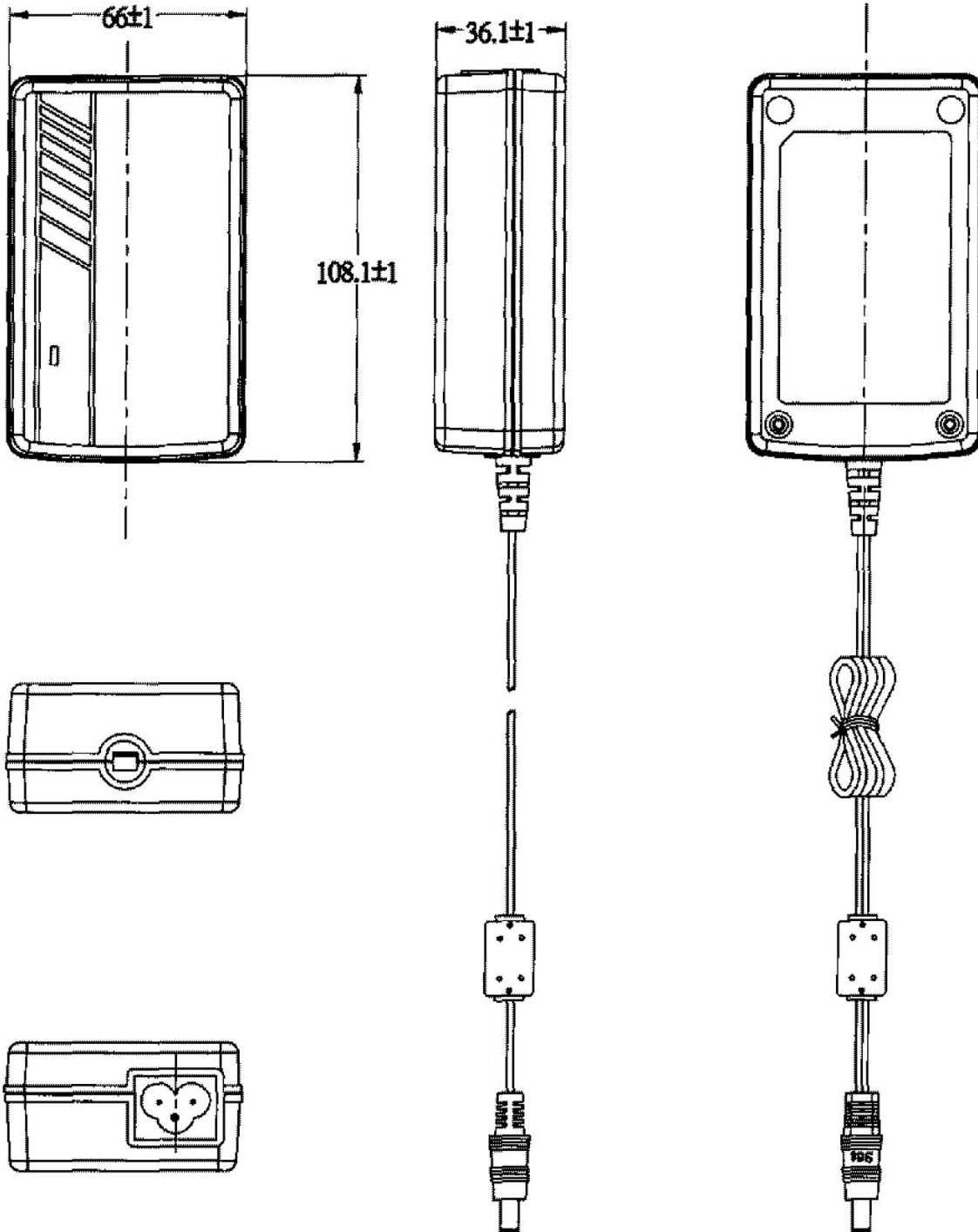
S=production location



**Mechanical Drawing**

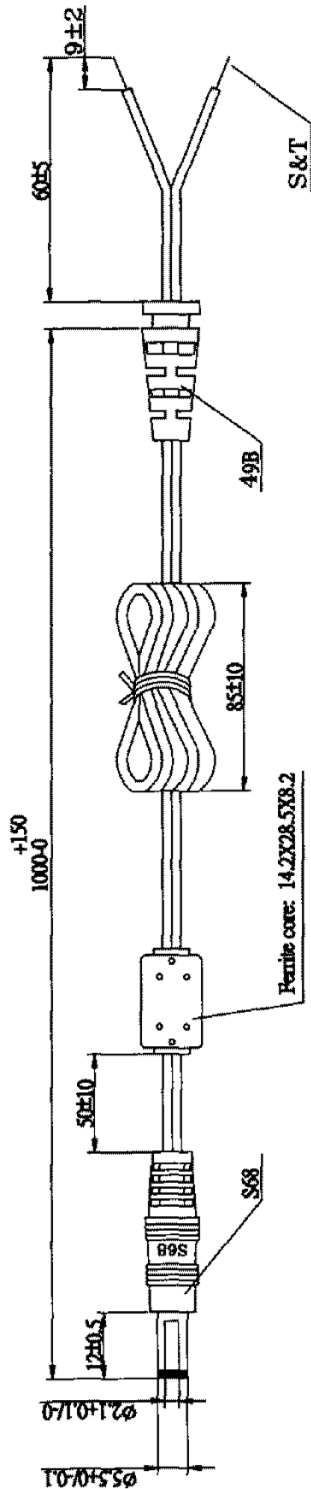
 Tolerance:  $\pm 1$ 

Input plug	Inlet IEC320 3Pin Type
Weight	474 g
Case size	108.1 L x 66 W x 36.1 H mm





DC Cord



#16AWG X2C 105°C SPT-2 HAVE ON WORD WIRE IN OUTER, NO WORD WIRE IN INNER

WIRE OD: 3.6X7.2



VIBRATION TEST	a. 360'
	b. WEIGHT 200g
	c. 40 ROUND/MINUTE
	d. OVER 1000 COUNT MIN



CUI INC

Part No: DTS090500UTC-P5P-SZ

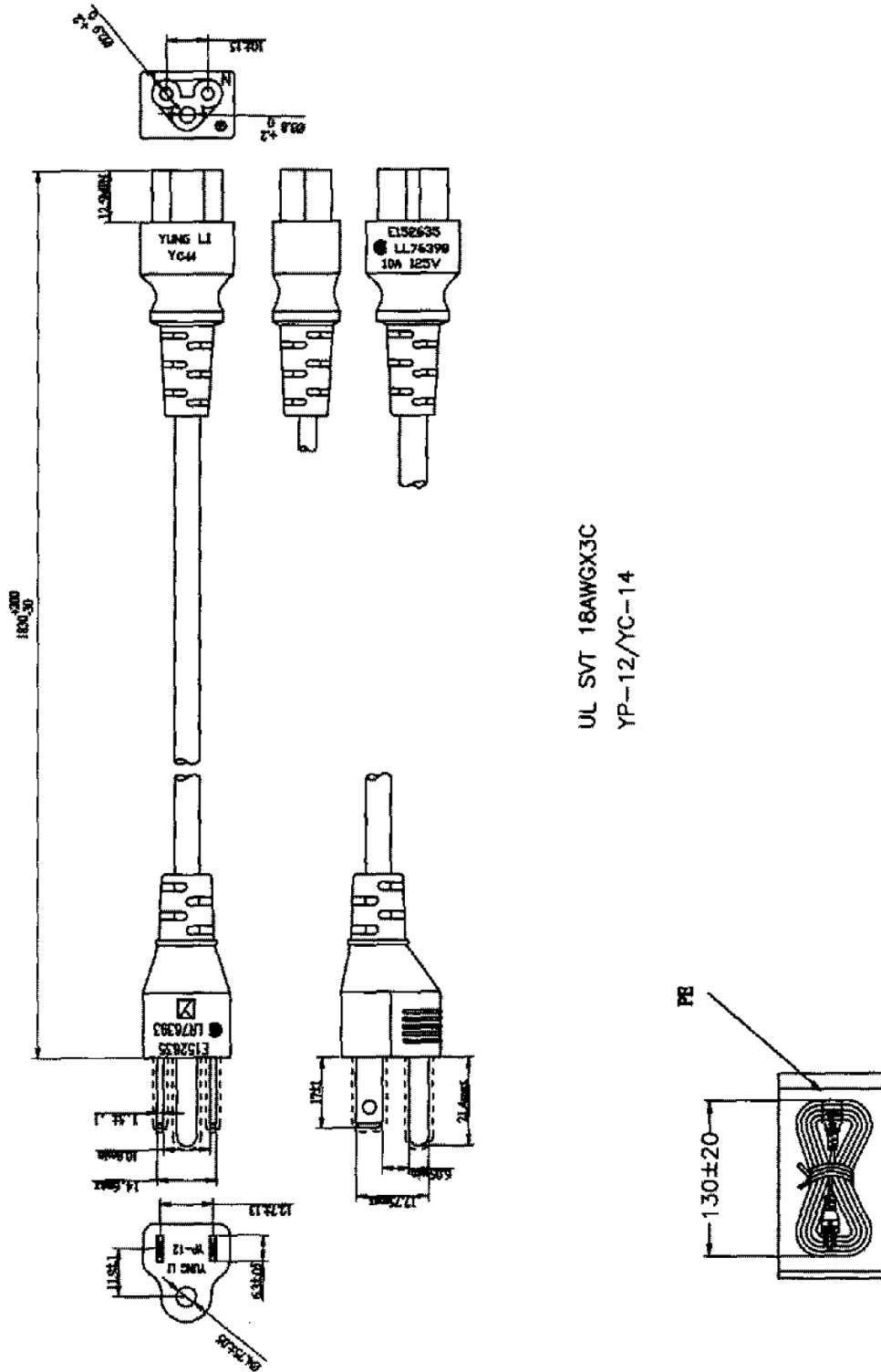
Date: 4/06/2006

Unit: mm

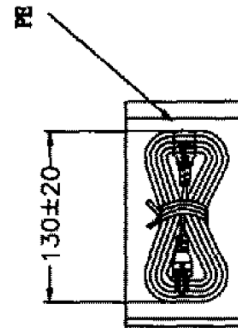
Description: switching power supply

Page No: 5 of 7

### AC Cord



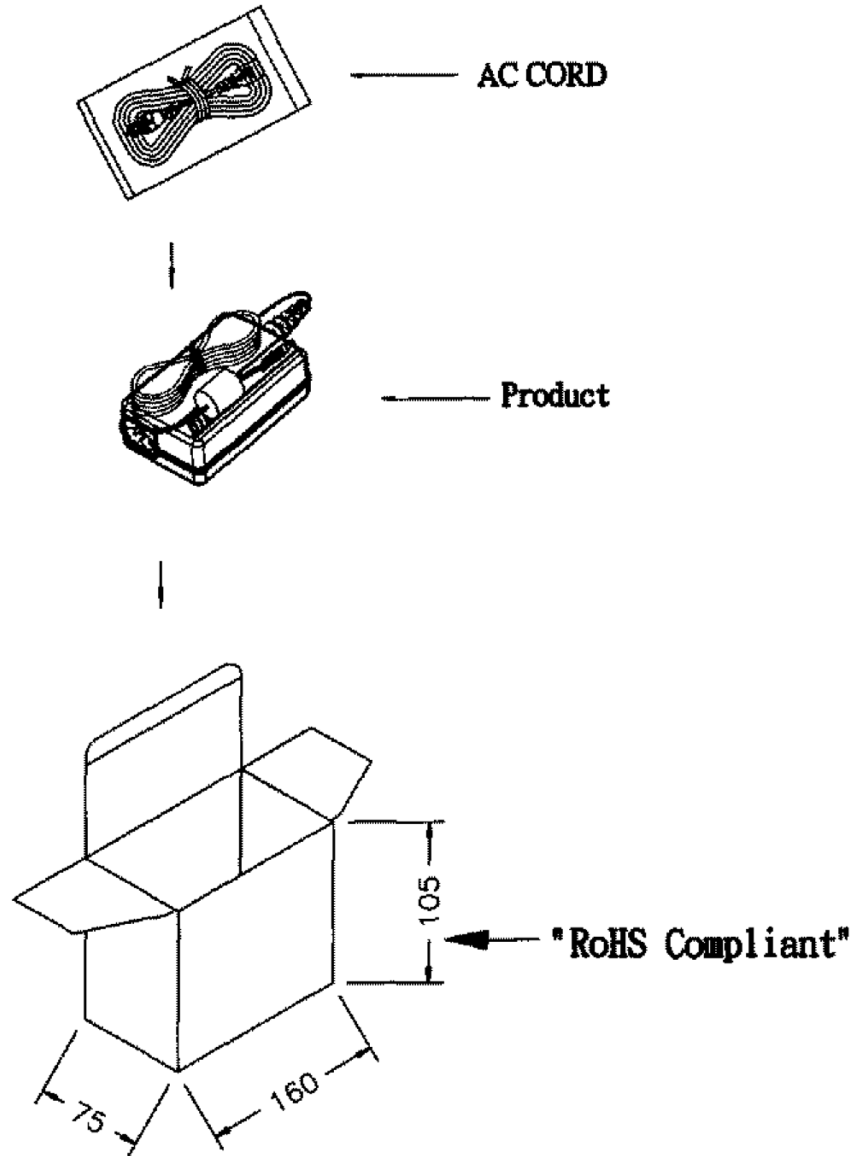
UL SVT 18AWGX3C  
YP-12/YP-14





**Individual Packaging**

Tolerance:  $\pm 1$





**Packaging**

Tolerance: +7/-0

EXTERNAL CARTON MATERIAL:A=B(6mm)  
INTERNAL CARTON MATERIAL:A-B(3mm)  
CARTON SIZE: 410X346X245mm  
Q'TY: 20pcs(10x2x1) 45mm  
**"RoHS Compliant"**

